

TECHNICAL GUIDE

## Self-dehydrating breathers type eSDB





# Content index

Application .....	4
Technical data .....	5
Electrical scheme and outputs .....	7
Dimensions.....	8
Order sheet.....	11

# Application

Technology	Condition Based	Condition Based	Condition Based	Condition Based
eSDB type	eSDB XS	eSDB S	eSDB M	eSDB L
Application				
Tap-changers	●	-	-	-
Arc suppression coil (Petersen coil)	●	-	-	-
Air-filled cable boxes	●	-	-	-
Traction transformers	●	-	-	-
Network transformers ≤ 40 MVA	-	●	-	-
Network and generator step-up transformers > 40 MVA ≤ 200 MVA	-	-	●	-
Generator and network intertie transformers > 200 MVA	-	-	-	●
Phase shifting transformers ≤ 40 MVA	-	●	-	-
Phase shifting transformers > 40 MVA ≤ 200 MVA	-	-	●	-
Phase shifting transformers > 200 MVA	-	-	-	●
Shunt reactors ≤ 40 Mvar	-	●	-	-
Shunt reactors > 40 Mvar ≤ 200 Mvar	-	-	●	-
Shunt reactors > 200 Mvar	-	-	-	●
HVDC transformers	-	-	-	●
Furnace transformers	-	-	-	●
Cavern transformers	-	-	-	●
Quantity of oil	≤ 40t	≤ 40t	> 40 ≤ 80t	≥ 80t

# Technical data

Type	Power consumption <sup>(1)</sup>	Silica gel (main tank)	Weight
eSDB XS	320 W	1.5 kg / 3.3 lb	14 kg / 30.9 lb
eSDB S	320 W	1.5 kg / 3.3 lb	15 kg / 33.1 lb
eSDB M	640 W	2.5 kg / 5.5 lb	20 kg / 44.1 lb
eSDB L	640 W	3.0 kg / 6.6 lb	22.5 kg / 49.6 lb

Comem eSDB	Technical data		
<b>Material</b>	All the external part are resistant to transformer oils, salt fog and UV rays – Aluminum and stainless steel <sup>(1)</sup>		
<b>Four types of installation environment</b>	Indoor/Outdoor/Tropical proof Offshore	Corrosion class: C5-Medium Corrosion class: C5-High / CX	Grey RAL 7035 (on request)
<b>Standard</b>	IEC 60076-22-7		
<b>Ambient temperature</b>	From -40 °C to 80 °C (from -40 °F to 176 °F)		
<b>Degree of protection</b>	IP65 according to EN 60529		
<b>Degree of protection of terminal box</b>	IP66 according to EN 60529		
<b>Ventilation valve</b>	To prevent the formation of condensation		
<b>Desiccant</b>	Colorless, non-poisonous silicagel; amount according application table above		
<b>Cable glands</b>	3 x M25x1.5		
<b>Functional test</b>	Standard		
<b>Overvoltage protection</b>	Standard (replaceable varistor and fuse)		
<b>Heating element protection</b>	Standard (replaceable fuse)		
<b>Redundancy</b>	Double feedback signal - Humidity sensor and load cell (for M & L types)		
<b>Display</b>	User-friendly – Quick access menu		
<b>Flange type</b>	DIN or EN flange		

(1) For critical environmental conditions, please contact us: [customerservice@it.comem.com](mailto:customerservice@it.comem.com)

# Technical data

## Power supply<sup>(1)</sup>

Rated Voltage	From 115 to 230 V ac/dc ± 10% 50/60 Hz
Current consumption	Max 100 mA (during normal operation) Maximum current during regeneration < 3 A (during regeneration)
Heating element insulation	2.0 kV 50/60 Hz, 1 min
External protection	Automatic circuit breaker 16 A – 20 A, characteristic: C – K – Z

## Signal contacts<sup>(1)</sup>

Braking capacity (relays on the electronic card)	Voltage	Current	Braking capacity		
	230V AC	2A	500 VA	cosΦ>0,5	
	30/110/220V DC	0,83/0,23/0,11 A	500 VA	L/R<40 ms	
Dielectric strength of contacts	Between contacts and ground: 2kV (60 sec)				
	Between contacts in open position: 1kV (60 sec)				
Configuration	Standard		Special		
	1 x change over contact: POWER FAILURE (terminals 22-24-21 – Relay 2) 1 x change over contact: SYSTEM FAILURE (terminals 12-14-11 – Relay 1)		1 x normally closed contact: POWER FAILURE (terminals 22-21 – Relay 2) 1 x change over contact: HEATER ON (terminals 12-14-11 – Relay 1)		

## Outputs<sup>(1)</sup>

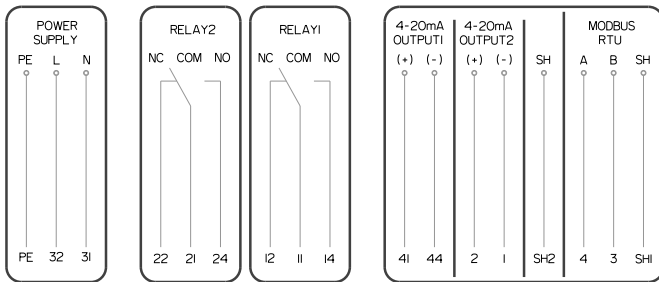
Analog outputs	2 x 4 – 20 mA (Max 30 m / 98 ft)
Digital outputs	Modbus RTU – Serial port RS485 (Max 30 m / 98 ft) Modbus TCP/IP – Ethernet port Data logger – USB port

## Recommended wires<sup>(1)</sup>

Power supply	14 AWG
Relay	18 AWG
4-20 mA	2 x 18 AWG (shielded twisted cable)
Modbus RTU	2 x 18 AWG (shielded twisted cable)
Modbus TCP/IP	Category 5e straight cable

(1) For more information contact us: [customerservice@it.comem.com](mailto:customerservice@it.comem.com)

# Electrical scheme and Status indicators

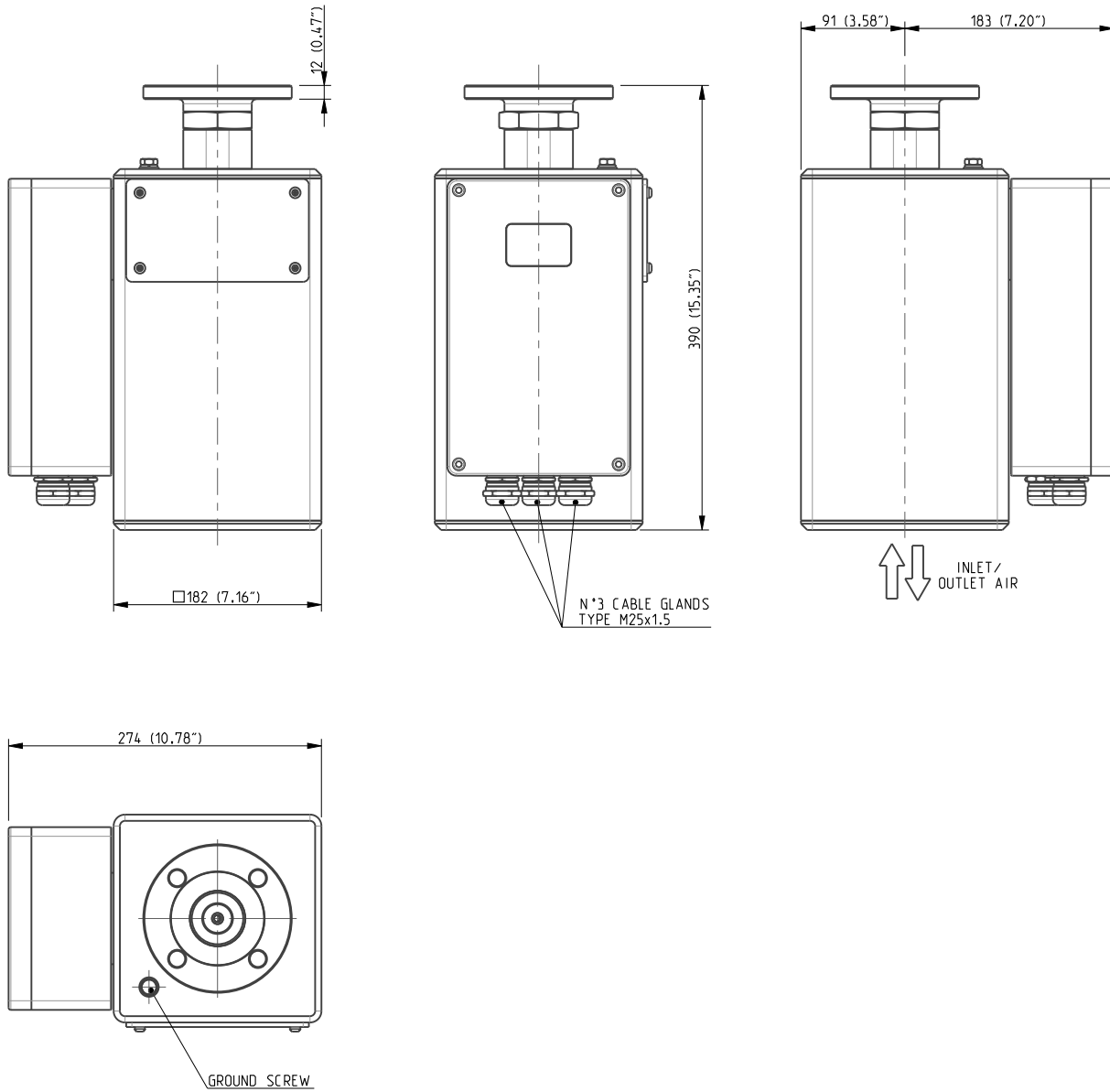


	Idle - Green
	Warning - Yellow (Fixed tank 1, Blinking tank 2)
	Drying - Yellow (Fixed tank 1, Blinking tank 2)
	Cooling - Yellow (Fixed tank 1, Blinking tank 2)
	USB active - Blue
	Electronic board failure - Red
	Heater failure - Red
	Solenoid valve Failure - Red
	Drying failure - Red
	Sensors Reading - White

For more information contact us:  
[customerservice@it.comem.com](mailto:customerservice@it.comem.com)

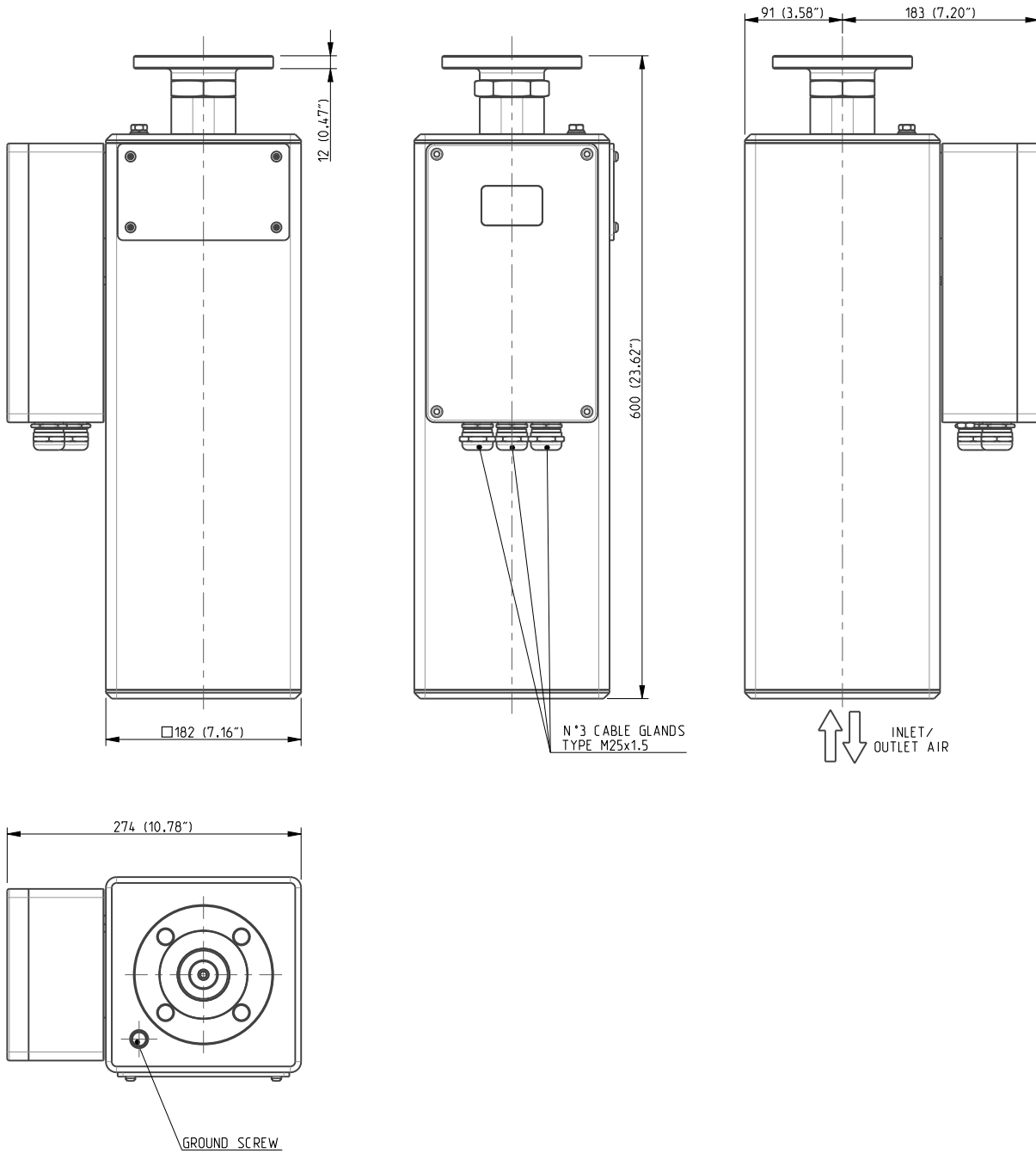
# Dimensions

## eSDB XS/S



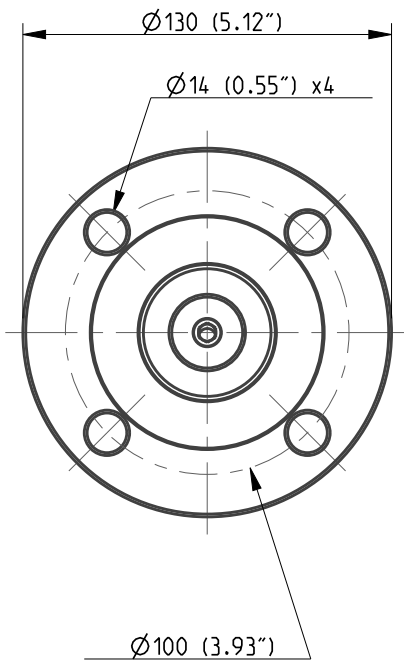


eSDB M/L

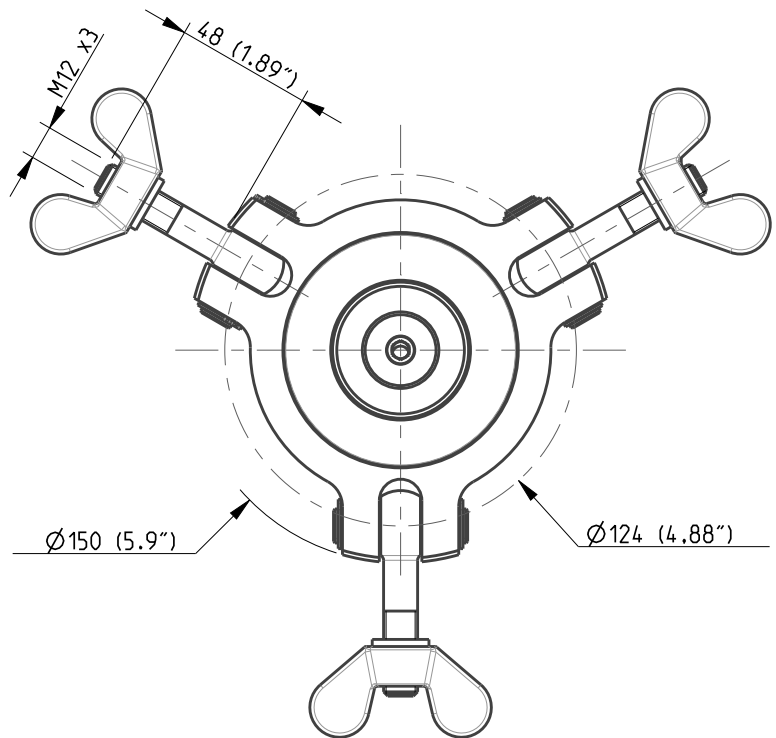


# Dimensions

**DN40 flange - EN 1092-1**



**DIN flange - DIN 42 562**



For further information or clarification, please contact our support team:  
 E-mail address: [customerservice@it.comem.com](mailto:customerservice@it.comem.com)

# Order sheet

Date	
Rev.	
Customer reference	

**Type**

<input type="checkbox"/>	eSDB XS
<input type="checkbox"/>	eSDB S
<input type="checkbox"/>	eSDB M
<input type="checkbox"/>	eSDB L

**Flange**

<input type="checkbox"/>	EN flange
<input type="checkbox"/>	DIN flange

**Corrosion protection class**

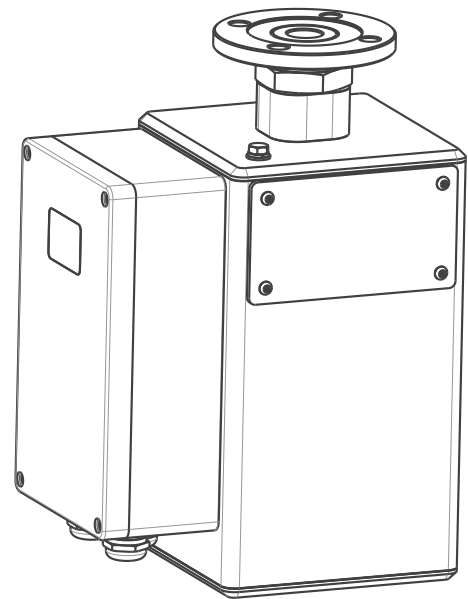
<input type="checkbox"/>	C5-Medium (not paintable)
<input type="checkbox"/>	C5-High / CX (RAL 7035 – only terminal box)

**Communication**

<input type="checkbox"/>	Standard (2xRelay)
<input type="checkbox"/>	Special (2xRelay, 2x4-20 mA, Modbus RTU, Modbus TCP/IP, Data logger)

**Electrical scheme**

<input type="checkbox"/>	Standard (Power failure – System failure)
<input type="checkbox"/>	Special (Power failure – Heater on)



Notes: For different configuration / options, please contact us: [customerservice@it.comem.com](mailto:customerservice@it.comem.com)

**COMEM SpA**

Localita' Signolo 22, Sr11  
36054 Montebello Vicentino  
Vicenza - Italy  
Tel +39 0444 449 311

**[www.comem.com](http://www.comem.com)**

The data and illustrations are not binding. We reserve the right to modify the contents of this document without prior notice following the technical and product developments.

Copyright 2021 COMEM. All rights reserved

**Technical guide-12-2021**